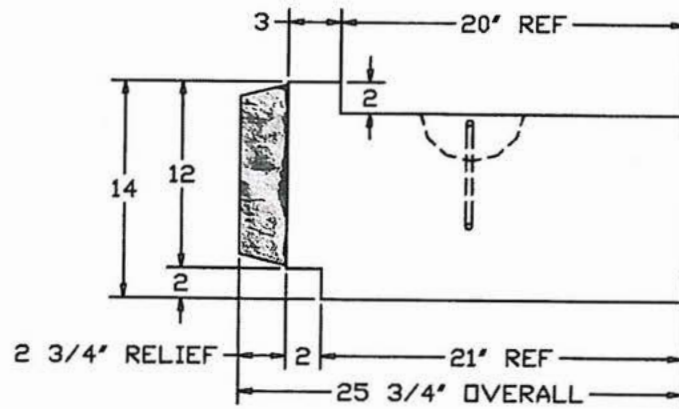
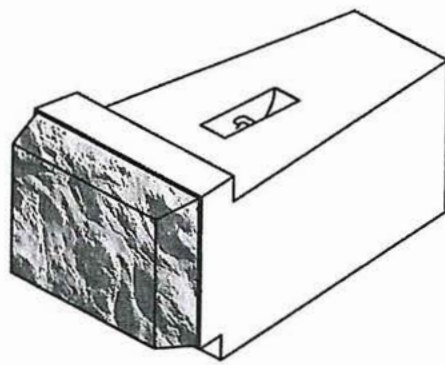
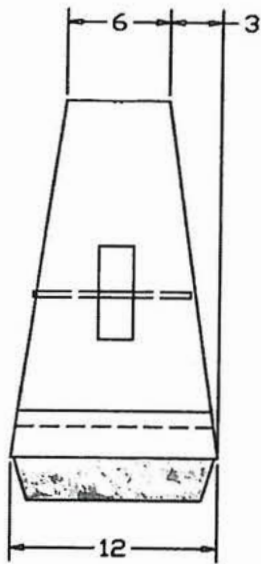


# Quarry Stone Mid-Sized Landscape Half Block



200 LBS